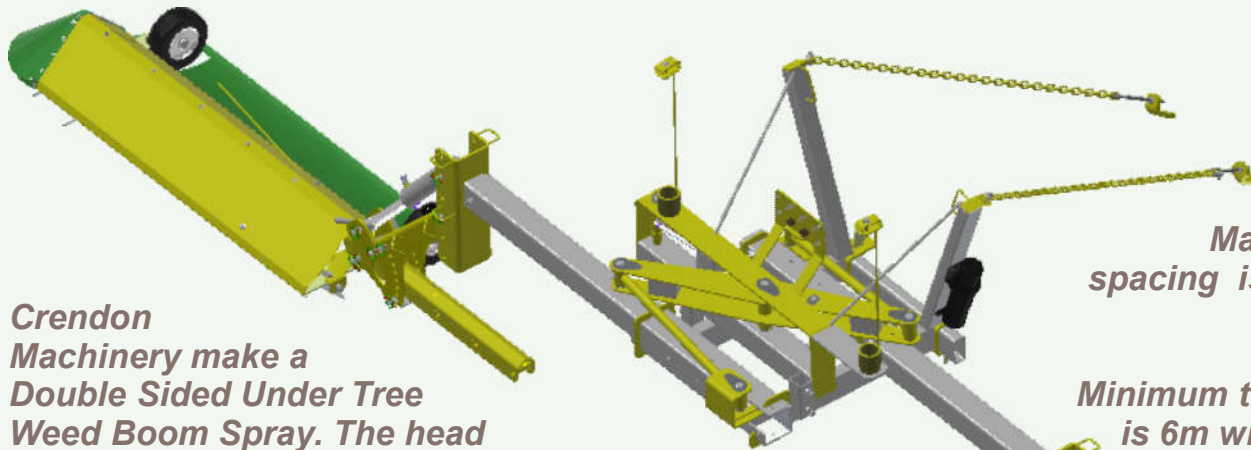


Weed Boom Spray Double Sided



Crendon Machinery make a Double Sided Under Tree Weed Boom Spray. The head cover comes in three sizes 0.9m, 1.2m and 1.5m. It is mounted to the front of a tractor.

Maximum tree row spacing is 10m with 1.5m heads.

Minimum tree row spacing is 6m with 0.8m more to still retract

Picture left shows 1.5m heads with both arms fully retracted, hydraulic width slide adjustment extension for spraying 7m wide tree rows.

Hydraulic Width Adjustment 1.6m.

One ram extends and retracts both sides evenly, this total adjustment is 1.6m. This slide is HDPE lined. One hydraulic ram each side raises the head; this can be done individually. Picture above is at full extension.

Manual Width Adjustment 3.2m

Each telescopic RHS has an adjustment of 1m and each head arm has adjustment of 0.6m so total adjustment both sides is 3.2m.

Three hydraulic controls are required, all the hoses are long enough to reach the back of the tractor.

Weed Boom Head RH and LH

The two boom heads, arm, head ram base frame & height ram are the same as our single sided units only one is opposite hand. These have been fully proven for the last 20 years

Pneumatic rubber wheels prevent the head digging in the ground. The head can be set either side on the ground with its 2 wheels or held off the ground with the hydraulic ram.

If the boom hits a tree trunk, fixed object or mound it swings back and up at 10° via a stainless steel gas strut & spring or rides up via the 2 wheels and returns after the object has been passed.

For Transport

The head rams are fully retracted and each raised vertically. This reduces the width by 3m - 4.2m without retracting the ram telescopic slides another 1.6m.



Picture above shows 1.5m heads all arms fully retracted for transport, width 2.3m,

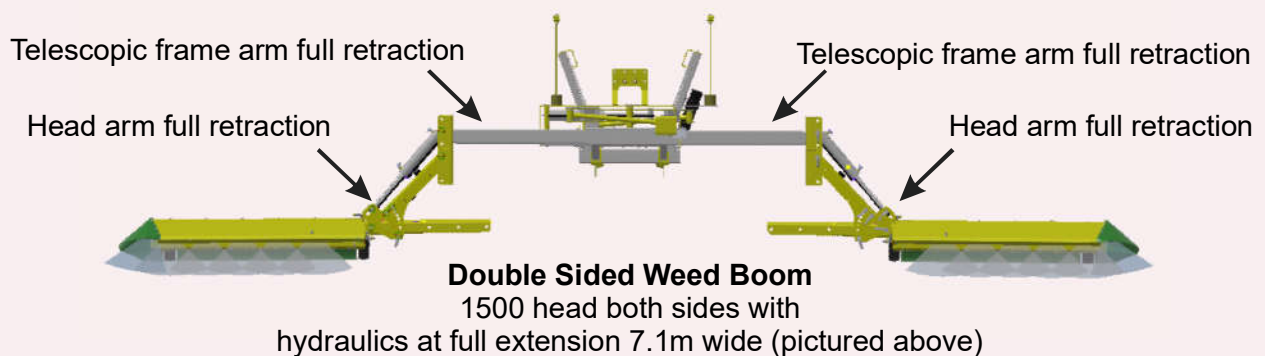
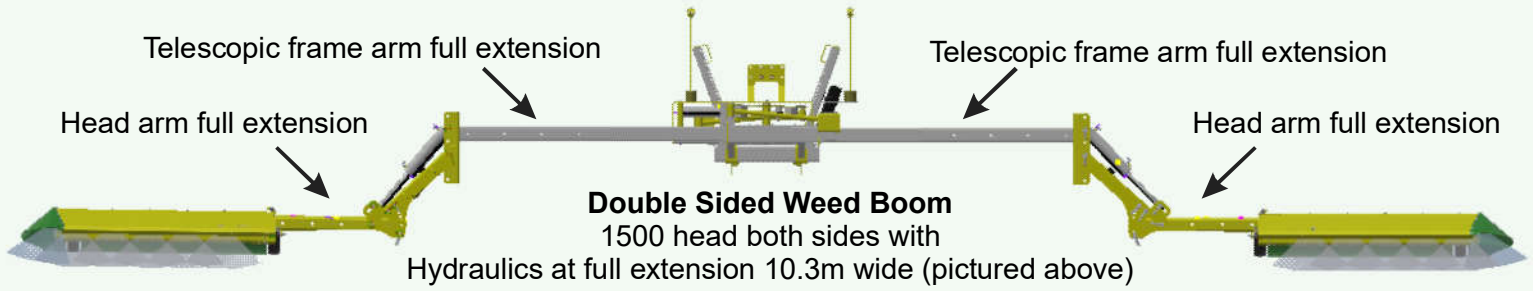
Manufacturers and designers of quality horticultural equipment

Phone : 1300 761 922
08 97311502
E-mail: info@crendon.com.au
www.crendon.com.au



- * **SQUIRREL** Elevating platforms
- * **NetWizz** Bird netting applicator
- * **BIN RUNNER** Bin Trailers
- * **OliNet** harvesting aid for olives etc

Weed Boom Spray Double Sided



Weed Boom Spray Single Sided

Crendon Machinery make an under tree weed boom spray. The spray boom head cover comes in three sizes 0.9m, 1.2m and 1.5m . It is mounted to the mid or front of a tractor and the boom over hangs to the right side reaching under low branches.



Spray Jets.

There is a non drip spray jet with a filter every 250mm, fitted with green nozzles. The end jet is an adjustable throw type. The green nozzles suit Roundup or similar.

- ✓ **0.9m boom** has a total of 4 jets 1m spray width
- ✓ **1.2m boom** has a total of 5 jets 1.25m spray width
- ✓ **1.5 m boom** has a total of 6 jets 1.5m spray width

PVC Curtain

A flexible 3 ply PVC belting is bolted to the end and rear of the boom to prevent spray drift in windy conditions.



Boom Swing Back

Two pneumatic rubber wheels prevent the head digging in the ground. If the boom hits a tree trunk or fixed object it swings back via a stainless steel gas strut & spring or swings up and returns after the object has been passed.

Adjustable Boom Offset

There are three settings each 300mm apart. This is used to adjust the amount of reach of the boom.

Hydraulic Raising

A small hydraulic ram raises and lowers the boom; the ram has restrictors fitted so that it only operates slowly. For transport the boom is raised to vertical, resting on a rubber stop. The hoses are 6m long to reach the rear of the tractor.

Steel Cover

The cover is made from 2mm zinc plate which is folded and reinforced at both ends, making a strong cover that deflects any low branches.



Tractor Mounting Bracket

A mounting bracket is bolted to the front or middle of the tractor. This provides best speed, control and visibility when spraying. This bracket stays on the tractor. The boom assembly is fixed with two pins.

Boom Height Control

There is two choices -

Fixed height setting: By using one of the 3 holes the height is controlled by the hydraulic ram (wheels are only used as a guide)

Floating height setting: By using the slotted hole the height is controlled by the boom wheels.



Available Through Your Local Dealer

Manufacturers and designers of horticultural equipment

Toll free : 1300 761 922

Phone: (08) 9731 1502

e-mail: info@crendon.com.au

www.crendon.com.au

